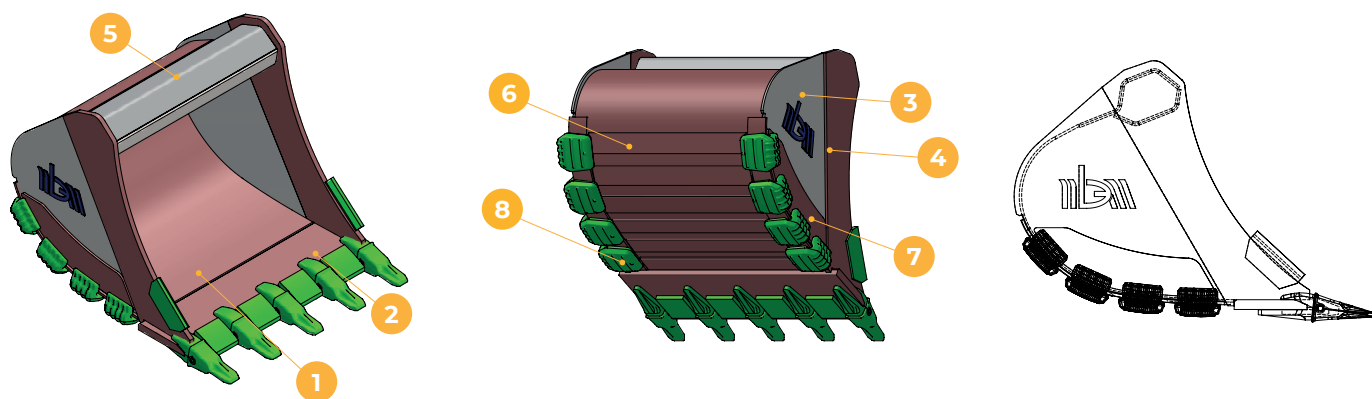


EXCAVATORS - ESCAVATORI - PELLE

EXTRA HEAVY DUTY BUCKET - BENNA EXTRA RINFORZATA - CODET XHD



🔲 MATERIAL - MATERIALE - MATÉRIEL
 📏 THICKNESS (MM) - SPESSORE (MM) - ÉPAISSEUR (MM)
 🦷 TOOTH - DENTE - DENT

	1	2	3	4	5	6	7	8
🔲	S355J0	HB450	S355J0	HB450	S355J0	HB450	HB450	N BEM
📏	12	50	10	30	20	15	12	CAST
🦷	CAT J460 - ESCO U45 - FEURST FK9 - COMBI R23							

NB 14 CLASS XHD 31,1 - 38 TONS

CODE CODICE	WIDTH (MM) LARGHEZZA (MM)	TEETH NR NR DENTI	MASS (KG) MASSA (KG)	CAP SAE (L) CAP SAE (L)
NB14XHD1000	1000	4	1481	1140
NB14XHD1200	1200	5	1597	1426
NB14XHD1350	1350	5	1682	1655
NB14XHD1500	1500	6	1820	1861