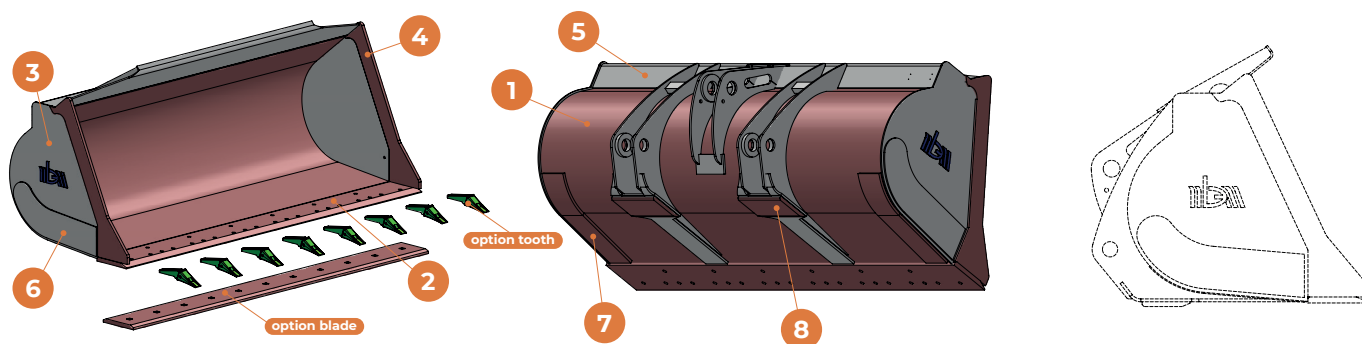


## WHEEL LOADERS

WHEEL LOADERS - CARICATORI GOMMATI - CHARGEUSES SUR PNEUS



▣ MATERIAL - MATERIALE - MATÉRIEL 
 ▣ THICKNESS (MM) - SPESSORE (MM) - ÉPAISSEUR (MM) 
 ▣ TOOTH - DENTE - DENT

	1	2	3	4	5	6	7	8
<span>▣</span>	S355J0	HB450	S355J0	HB450	S355J0	S355J0	HB450	HB450
<span>▣</span>	10	300X40	10	25	8	8	15	200X25
<span>▣</span>	CAT J350 - ESCO U30 - FEURST FK5 - COMBI R18							

## NB 45 CLASS HD 14,1 - 17 TONS

CODE CODICE	WIDTH (MM) LARGHEZZA (MM)	MASS (KG) MASSA (KG)	CAP SAE (L) CAP SAE (L)
NB45HD2500	2500	1507	2.60
NB45HD2600	2600	1537	2.70
NB45HD2700	2700	1556	2.90