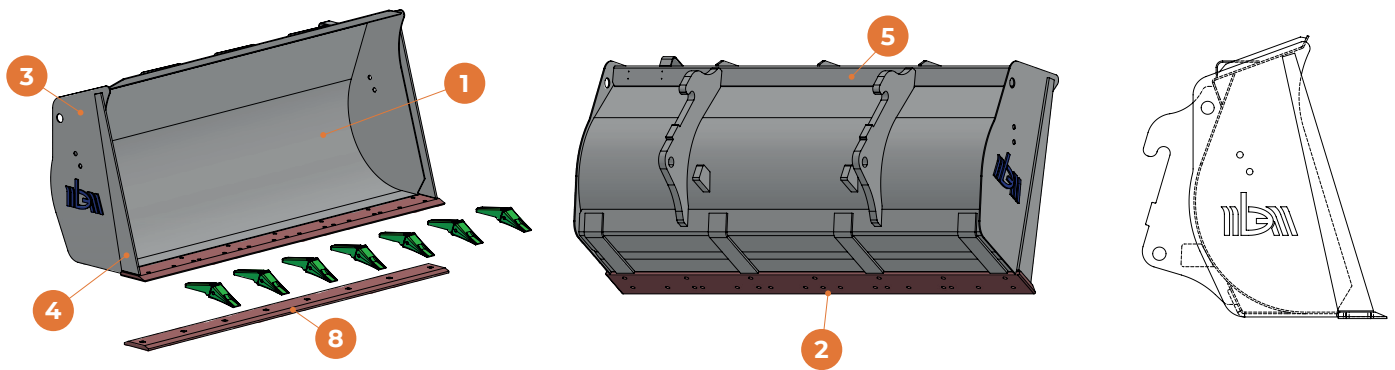


# COMPACT WHEEL LOADERS BUCKET

CARICATORI GOMMATI COMPATTI - CHARGEUSES SUR PNEUS COMPACTES



☐ MATERIAL - MATERIALE - MATÉRIEL 
 ☐ THICKNESS (MM) - SPESSORE (MM) - ÉPAISSEUR (MM) 
 ☐ TOOTH - DENTE - DENT

	1	2	3	4	5	6	7	8 - OPTION
<span>☐</span>	S355J0	HB450	S355J0	S355J0	S355J0	-	-	HB450
<span>☐</span>	5	150X20	5	10	5	-	-	150X19
<span>☐</span>	CAT J200 - ESCO U20 - FEURST FK1 - COMBI R10							

## NB 41 CLASS ST 2 - 6 TONS

CODE CODICE	WIDTH (MM) LARGHEZZA (MM)	MASS (KG) MASSA (KG)	CAP SAE (L) CAP SAE (L)	NR. TEETH (OPT) NUMERO DENTI (OPT)
NB41ST1900	1900	360	0.80	7
NB41ST2050	2050	374	0.95	8
NB41ST2100	2100	389	1.00	8
NB41ST2200	2200	404	1.10	8