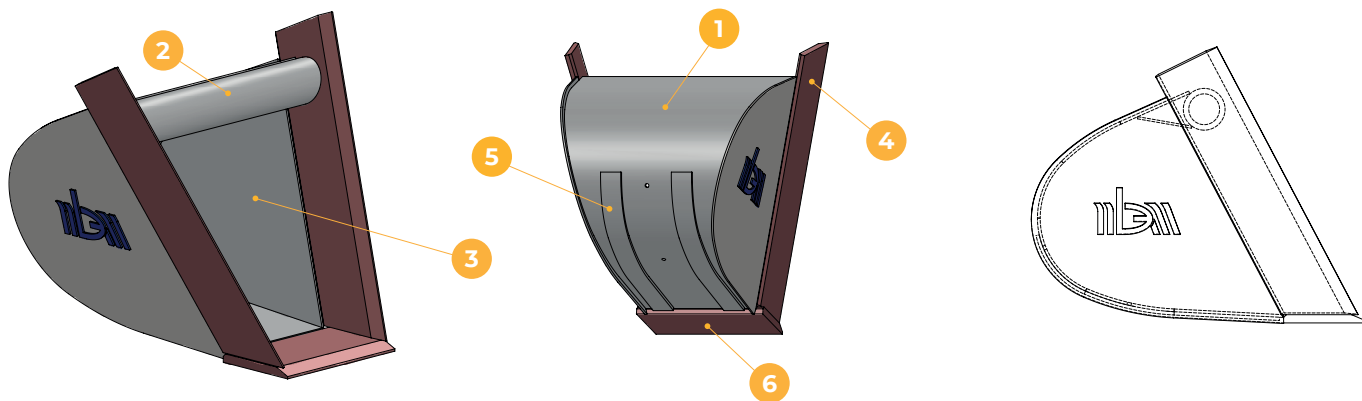


## EXCAVATORS - ESCAVATORI - PELLER

### TRAPEZOIDAL BUCKET - BENNA TRAPEZOIDALE - GODET TRAPÈZE



▣ MATERIAL - MATERIALE - MATÉRIEL   
 ▣ THICKNESS (MM) - SPESSORE (MM) - ÉPAISSEUR (MM)

	1	2	3	4	5	6
<span>▣</span>	S355J0	S355J0	S355J0	HB450	S355J0	HB450
<span>▣</span>	10	Ø152 X 20	8	250 X 25	80 X 12	300 X 30

## NB 13-14-15 CLASS TR 26,1 - 43 TONS

CODE CODICE	WIDTH (MM) LARGHEZZA (MM)	ANGLE α ANGOLO α	MASS (KG) MASSA (KG)	CAP SAE (L) CAP SAE (L)
NB13TR50039	500	39	850	1600
NB13TR50045	500	45	780	1400
NB13TR50052	500	52	700	1200