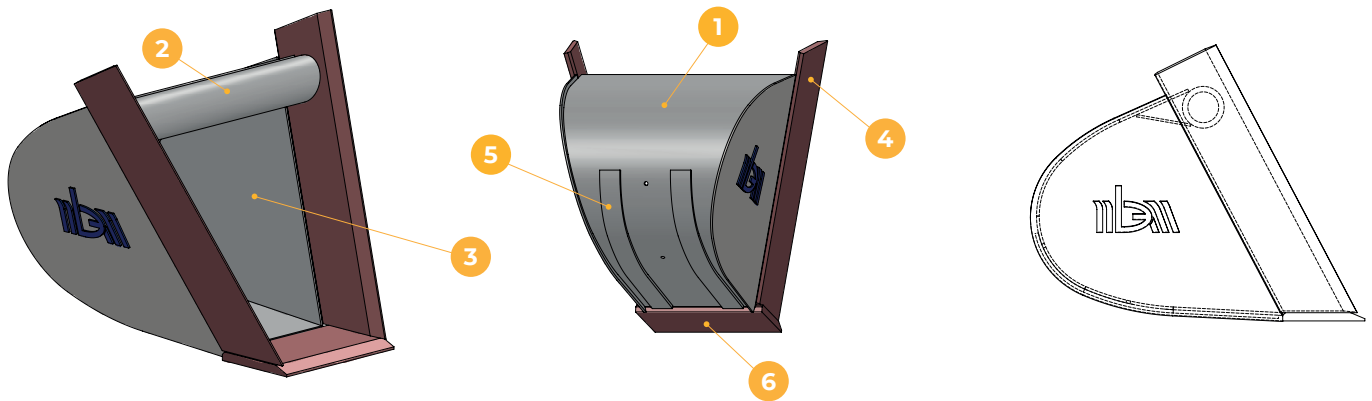


TRAPEZOIDAL BUCKET

BENNA TRAPEZOIDALE - GODET TRAPÈZE



▣ MATERIAL - MATERIALE - MATÉRIEL
 ▣ THICKNESS (MM) - SPESSORE (MM) - ÉPAISSEUR (MM)

	1	2	3	4	5	6
▣	S355J0	S355J0	S355J0	HB450	S355J0	HB450
▣	8	Ø114 X 14	5	200 X 20	50 X 8	200 X 25

NB 08 CLASS TR 10,1 - 12,5 TONS

CODE CODICE	WIDTH (MM) LARGHEZZA (MM)	ANGLE α ANGOLO α	MASS (KG) MASSA (KG)	CAP SAE (L) CAP SAE (L)
NB08TR30045	300	45	285	320
NB08TR30052	300	52	250	290
NB08TR30060	300	60	215	260