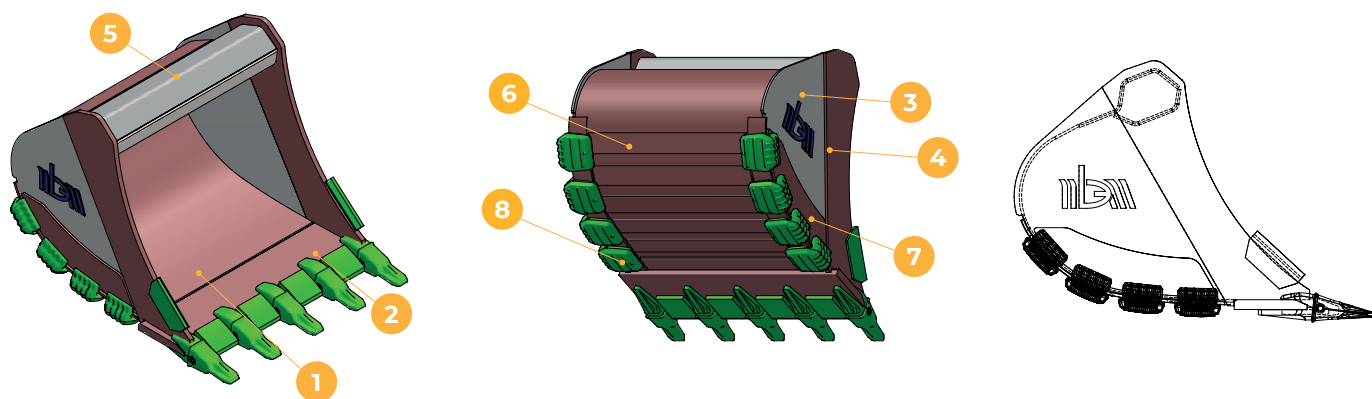


## EXCAVATORS - ESCAVATORI - PELLER

EXTRA HEAVY DUTY BUCKET - BENNA EXTRA RINFORZATA - CODET XHD



🔲 MATERIAL - MATERIALE - MATÉRIEL 
 📏 THICKNESS (MM) - SPESSORE (MM) - ÉPAISSEUR (MM) 
 🦷 TOOTH - DENTE - DENT

	1	2	3	4	5	6	7	8
<span>🔲</span>	S355J0	HB450	S355J0	HB450	S355J0	HB450	HB450	N BEM
<span>📏</span>	12	60	12	40	20	20	15	CAST
<span>🦷</span>	CAT J550 - ESCO U55 - FEURST FK11 - COMBI R29							

## NB 16 CLASS XHD 43,1 - 55 TONS

CODE CODICE	WIDTH (MM) LARGHEZZA (MM)	TEETH NR NR DENTI	MASS (KG) MASSA (KG)	CAP SAE (L) CAP SAE (L)
NB16XHD1400	1400	4	2594	2142
NB16XHD1500	1500	5	2675	2333
NB16XHD1700	1700	5	2905	2716
NB16XHD1800	1800	5	2987	2907
NB16XHD2000	2000	6	3216	3290