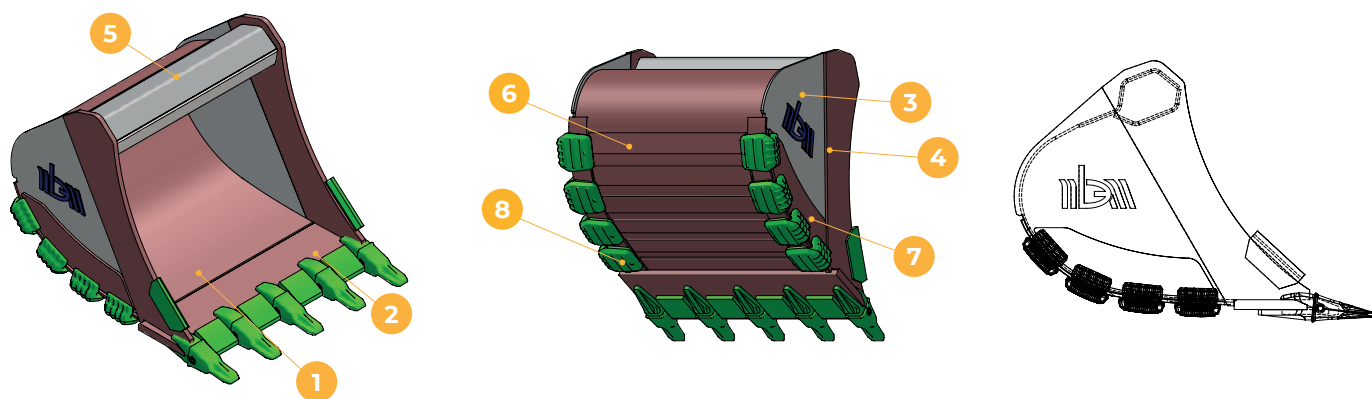


EXCAVATORS - ESCAVATORI - PELLER

EXTRA HEAVY DUTY BUCKET - BENNA EXTRA RINFORZATA - CODET XHD



🔲 MATERIAL - MATERIALE - MATÉRIEL
 📏 THICKNESS (MM) - SPESSORE (MM) - ÉPAISSEUR (MM)
 🦷 TOOTH - DENTE - DENT

	1	2	3	4	5	6	7	8
🔲	S355J0	HB450	S355J0	HB450	HB450	HB450	HB450	N BEM
📏	12	50	12	30	20	15	12	CAST
🦷	CAT J460 - ESCO U45 - FEURST FK9 - COMBI R29							

NB 15 CLASS XHD 38,1 - 43 TONS

CODE CODICE	WIDTH (MM) LARGHEZZA (MM)	TEETH NR NR DENTI	MASS (KG) MASSA (KG)	CAP SAE (L) CAP SAE (L)
NB15XHD1000	1000	4	1571	1229
NB15XHD1200	1200	4	1689	1546
NB15XHD1300	1300	5	1788	1707
NB15XHD1400	1400	5	1820	1869
NB15XHD1500	1500	5	1919	2030
NB15XHD1600	1600	5	2009	2192
NB15XHD1800	1800	6	2143	2516