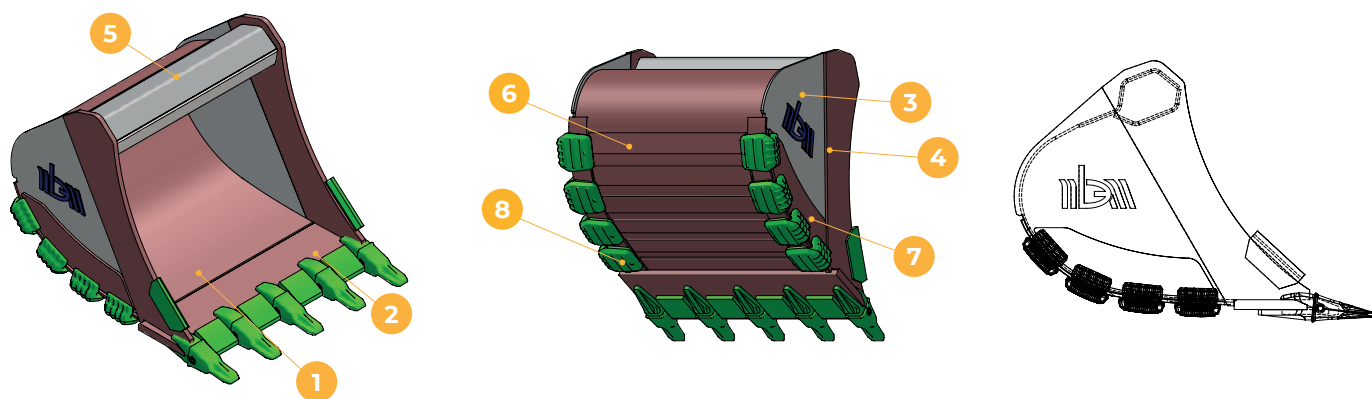


## EXCAVATORS - ESCAVATORI - PELLER

EXTRA HEAVY DUTY BUCKET - BENNA EXTRA RINFORZATA - CODET XHD



▣ MATERIAL - MATERIALE - MATÉRIEL 
 ▣ THICKNESS (MM) - SPESSORE (MM) - ÉPAISSEUR (MM) 
 ▣ TOOTH - DENTE - DENT

	1	2	3	4	5	6	7	8
<span>▣</span>	S355J0	HB450	S355J0	HB450	S355J0	HB450	HB450	N BEM
<span>▣</span>	12	45	12	35	15	20	15	CAST
<span>▣</span>	CAT J400 - ESCO U40 - FEURST FK9 - COMBI R23							

## NB 13 CLASS XHD 26,1 - 31 TONS

CODE CODICE	WIDTH (MM) LARGHEZZA (MM)	TEETH NR NR DENTI	MASS (KG) MASSA (KG)	CAP SAE (L) CAP SAE (L)
NB13XHD1000	1000	4	1225	1015
NB13XHD1200	1200	5	1390	1266
NB13XHD1300	1300	5	1470	1393
NB13XHD1500	1500	6	2000	1660