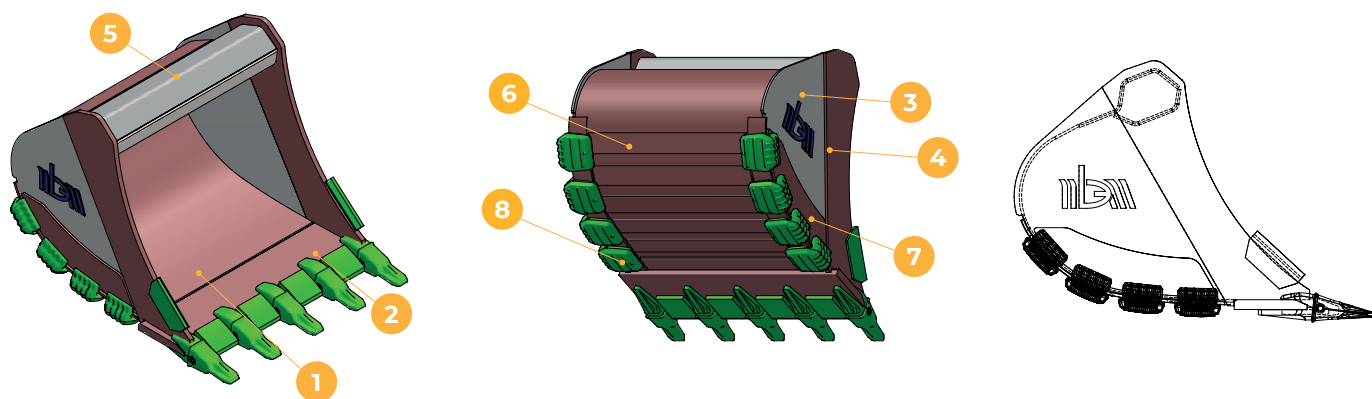


EXCAVATORS - ESCAVATORI - PELLER

EXTRA HEAVY DUTY BUCKET - BENNA EXTRA RINFORZATA - CODET XHD



🔲 MATERIAL - MATERIALE - MATÉRIEL
 📏 THICKNESS (MM) - SPESSORE (MM) - ÉPAISSEUR (MM)
 🔪 TOOTH - DENTE - DENT

	1	2	3	4	5	6	7	8
🔲	S355J0	HB450	S355J0	HB450	S355J0	HB450	HB450	N BEM
📏	10	40	12	30	15	15	15	CAST
🔪	CAT J350 - ESCO U40 - FEURST FK7 - COMBI R23							

NB 12 CLASS XHD 23,1 - 26 TONST

CODE CODICE	WIDTH (MM) LARGHEZZA (MM)	TEETH NR NR DENTI	MASS (KG) MASSA (KG)	CAP SAE (L) CAP SAE (L)
NB12XHD1000	1000	4	965	810
NB12XHD1200	1200	5	1070	1023
NB12XHD1300	1300	5	1107	1131