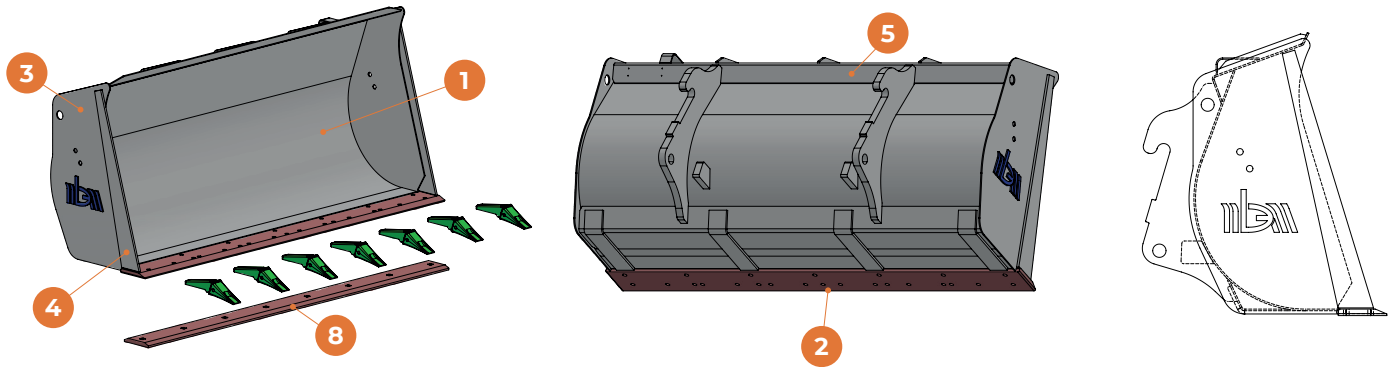


COMPACT WHEEL LOADERS BUCKET

CARICATORI GOMMATI COMPATTI - CHARGEUSES SUR PNEUS COMPACTES



▣ MATERIAL - MATERIALE - MATÉRIEL
 ▣ THICKNESS (MM) - SPESSORE (MM) - ÉPAISSEUR (MM)
 ▣ TOOTH - DENTE - DENT

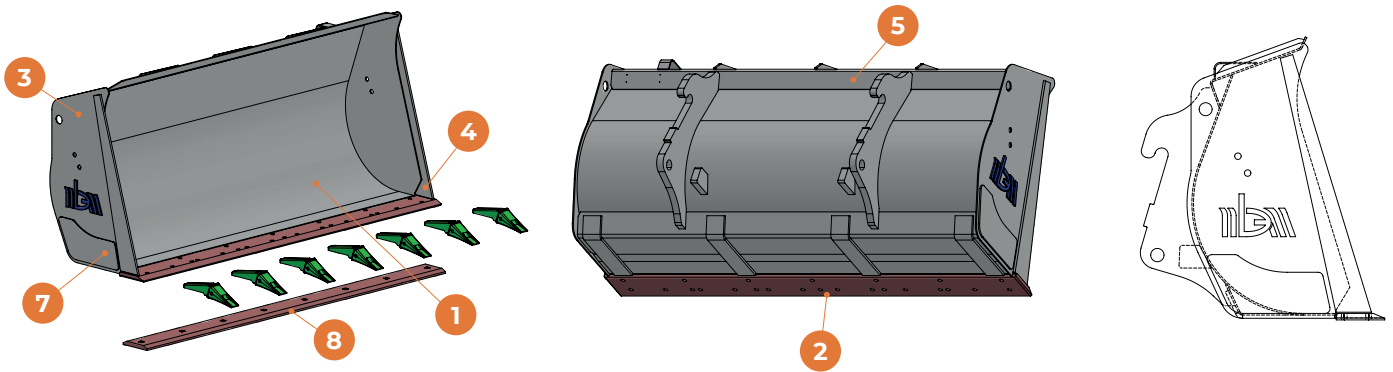
	1	2	3	4	5	6	7	8 - OPTION
▣	S355J0	HB450	S355J0	S355J0	S355J0	-	-	HB450
▣	5	150X20	5	10	5	-	-	150X19
▣	CAT J200 - ESCO U20 - FEURST FK1 - COMBI R10							

NB 41 CLASS ST 2 - 6 TONS

CODE CODICE	WIDTH (MM) LARGHEZZA (MM)	MASS (KG) MASSA (KG)	CAP SAE (L) CAP SAE (L)	NR. TEETH (OPT) NUMERO DENTI (OPT)
NB41ST1900	1900	360	0.80	7
NB41ST2050	2050	374	0.95	8
NB41ST2100	2100	389	1.00	8
NB41ST2200	2200	404	1.10	8

WHEEL LOADERS

COMPACT WHEEL LOADERS - CARICATORI GOMMATI COMPATTI - CHARGEUSES SUR PNEUS COMPACTES



▣ MATERIAL - MATERIALE - MATÉRIEL
 ▣ THICKNESS (MM) - SPESSORE (MM) - ÉPAISSEUR (MM)
 ▣ TOOTH - DENTE - DENT

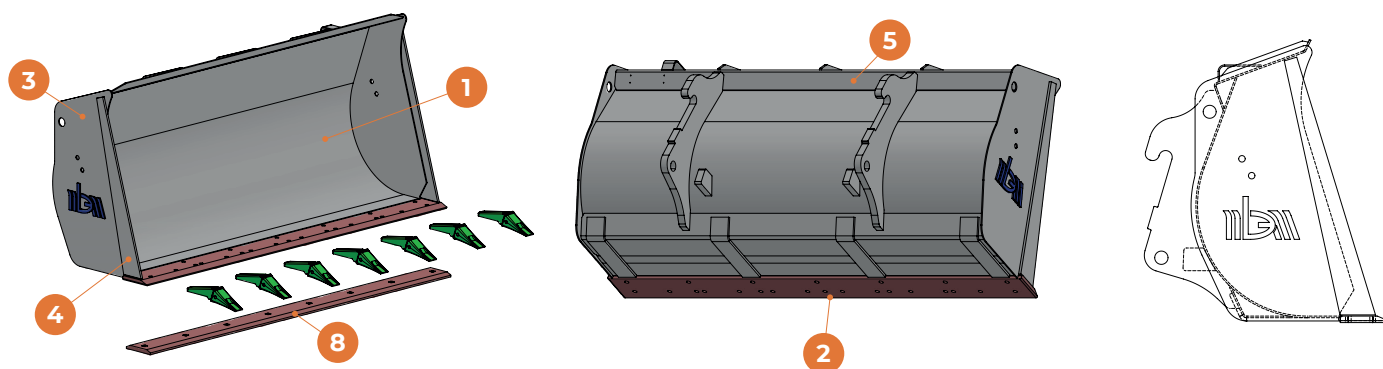
1	2	3	4	5	6	7	8 - OPTION
▣ S355J0	HB450	S355J0	S355J0	S355J0	-	S355J0	HB450
▣ 6	200X25	6	12	5	-	6	150X19
▣ CAT J225 - ESCO U20 - FEURST FK2 - COMBI R10							

NB 41 CLASS HD 2 - 6 TONS

CODE CODICE	WIDTH (MM) LARGHEZZA (MM)	MASS (KG) MASSA (KG)	CAP SAE (L) CAP SAE (L)	NR. TEETH (OPT) NUMERO DENTI (OPT)
NB41HD1900	1900	404	0.80	7
NB41HD2050	2050	419	0.95	8
NB41HD2100	2100	433	1.00	8
NB41HD2200	2200	448	1.10	8

WHEEL LOADERS

COMPACT WHEEL LOADERS - CARICATORI GOMMATI COMPATTI - CHARGEUSES SUR PNEUS COMPACTES



▣ MATERIAL - MATERIALE - MATÉRIEL
 ▣ THICKNESS (MM) - SPESSORE (MM) - ÉPAISSEUR (MM)
 ▣ TOOTH - DENTE - DENT

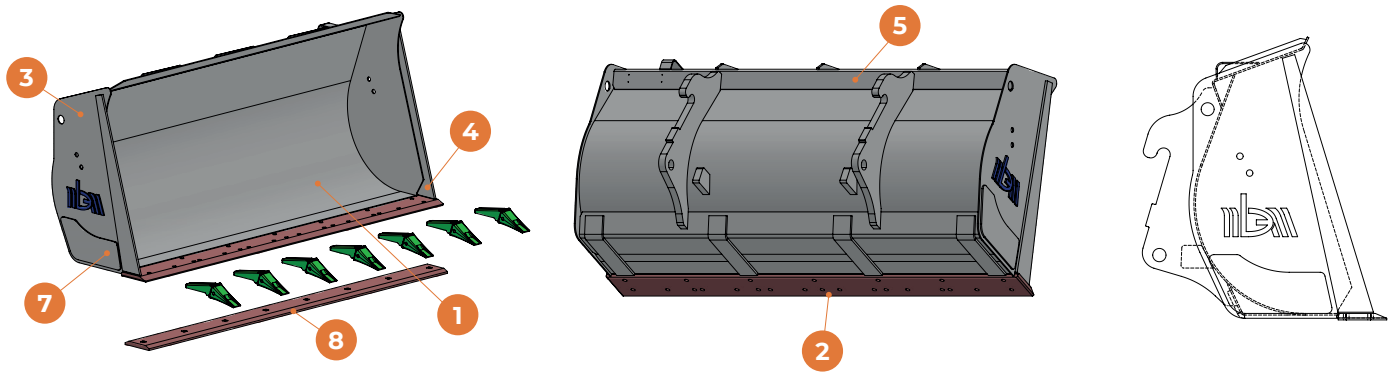
1	2	3	4	5	6	7	8 - OPTION
▣ S355J0	HB450	S355J0	S355J0	S355J0	-	-	HB450
▣ 6	200X25	6	12	5	-	-	203X25
▣ CAT J250 - ESCO U20 - FEURST FK2 - COMBI R10							

NB 42 CLASS ST 6,1 - 10 TONS

CODE CODICE	WIDTH (MM) LARGHEZZA (MM)	MASS (KG) MASSA (KG)	CAP SAE (L) CAP SAE (L)	NR. TEETH (OPT) NUMERO DENTI (OPT)
NB42ST2200	2200	591	1.25	8
NB42ST2300	2300	611	1.35	8
NB42ST2400	2400	630	1.45	8

WHEEL LOADERS

COMPACT WHEEL LOADERS - CARICATORI GOMMATI COMPATTI - CHARGEUSES SUR PNEUS COMPACTES



■ MATERIAL - MATERIALE - MATÉRIEL
 ■ THICKNESS (MM) - SPESSORE (MM) - ÉPAISSEUR (MM)
 ■ TOOTH - DENTE - DENT

	1	2	3	4	5	6	7	8 - OPTION
■	S355J0	HB450	S355J0	S355J0	S355J0	-	S355J0	HB450
■	6	200X25	6	15	5	-	6	203X25
■	CAT J250 - ESCO U20 - FEURST FK2 - COMBI R10							

NB 42 CLASS HD 2 - 6 TONS

CODE CODICE	WIDTH (MM) LARGHEZZA (MM)	MASS (KG) MASSA (KG)	CAP SAE (L) CAP SAE (L)	NR. TEETH (OPT) NUMERO DENTI (OPT)
NB42HD2200	2200	660	1.25	8
NB42HD2300	2300	680	1.35	8
NB42HD2400	2400	699	1.45	8