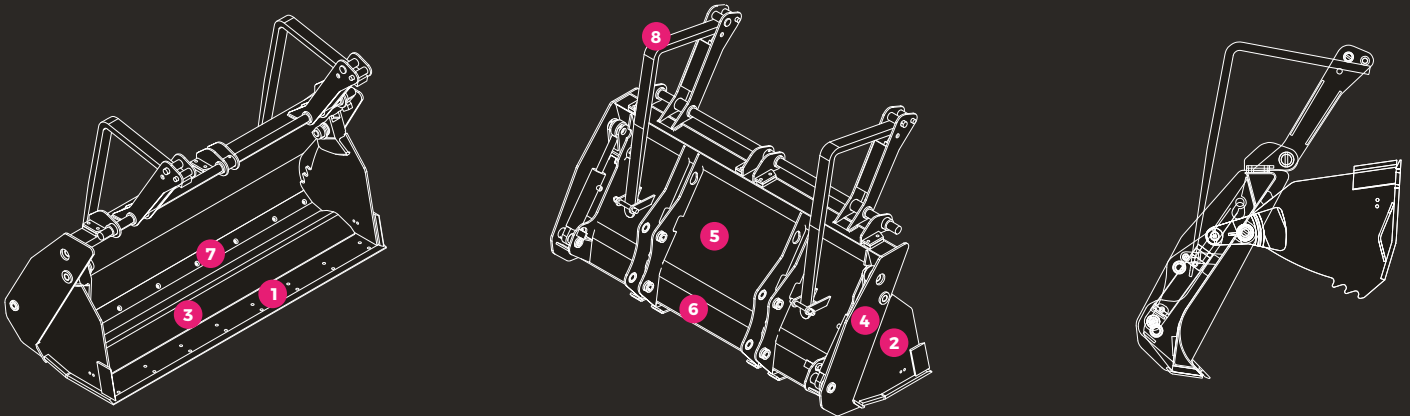


BACKHOE LOADERS

HYDRAULIC MULTIFUNCTION BUCKET 6 IN 1

Similar to the 4x1 bucket with the addition of two dumper forks for handling loads of up to 1500 Kg. The bucket is available with welded or bolted teeth or with a supplementary blade. The bucket requires hydraulic functions.



MATERIAL THICKNESS (mm)

1	2	3	4	5	6	7	8
SJ3550	SJ3550	SJ3550	SJ3550	SJ3550	SJ3550	HB400	HB400
20	12	10	12	6	6	15	40

B26 CLASS 40 - 60 KW 54 - 80 HP

CODE	WIDTH (mm)	CAPACITY SAE (L)	OPTIONALS
B26W601	2250	1000	FORK TEETH
B26W602	2250	1000	WELDED ADAPTERS
B26W603	2250	1000	BOLTED BLADE
B26W604	2400	1150	FORK TEETH
B26W605	2400	1150	WELDED ADAPTERS
B26W606	2400	1150	BOLTED BLADE